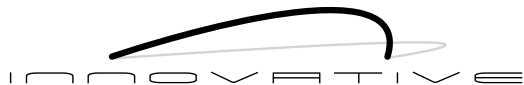
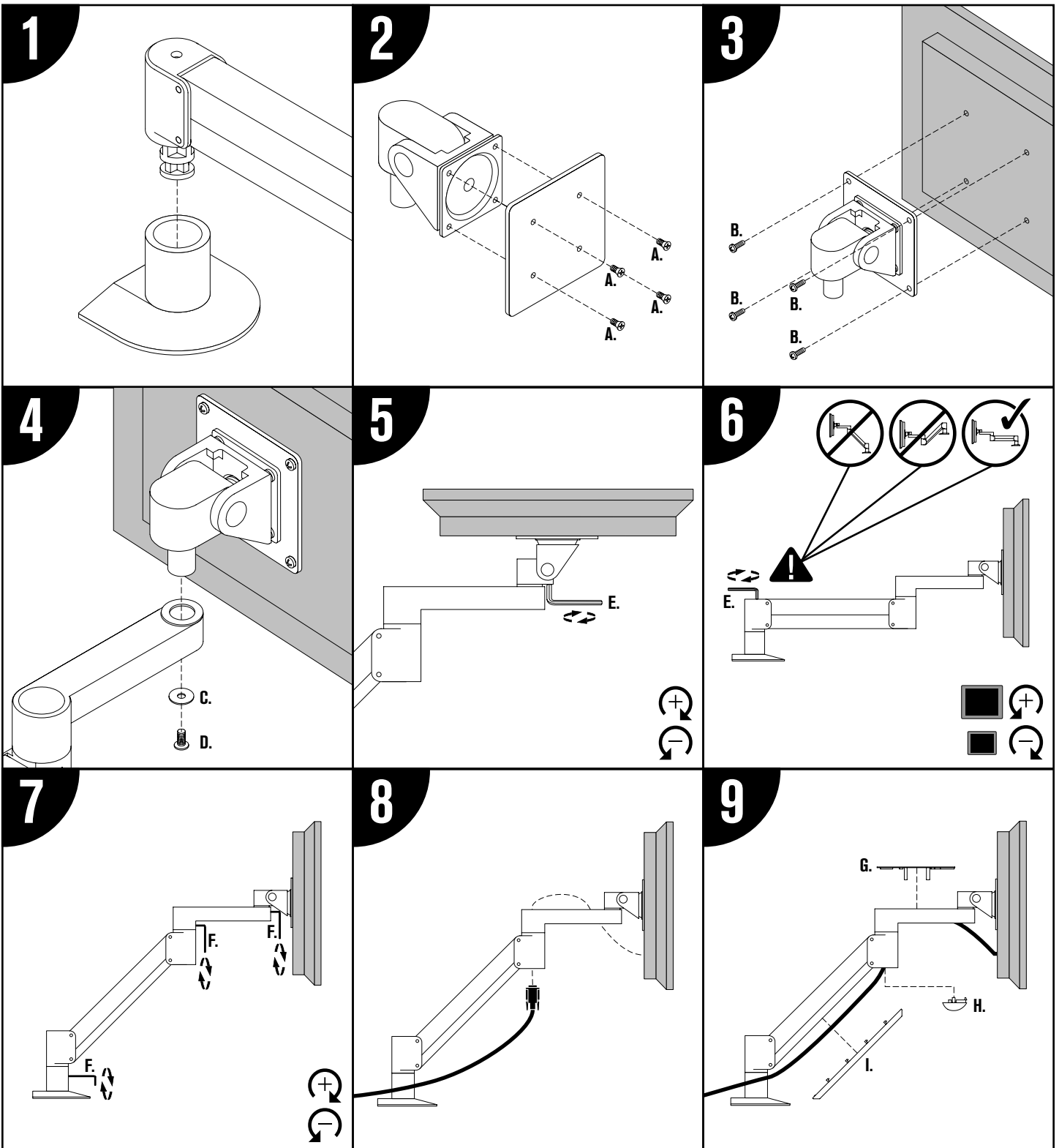
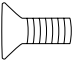
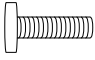
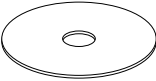
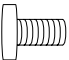



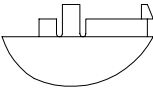
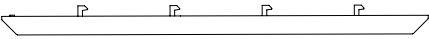


Model 7500 Installation Instructions

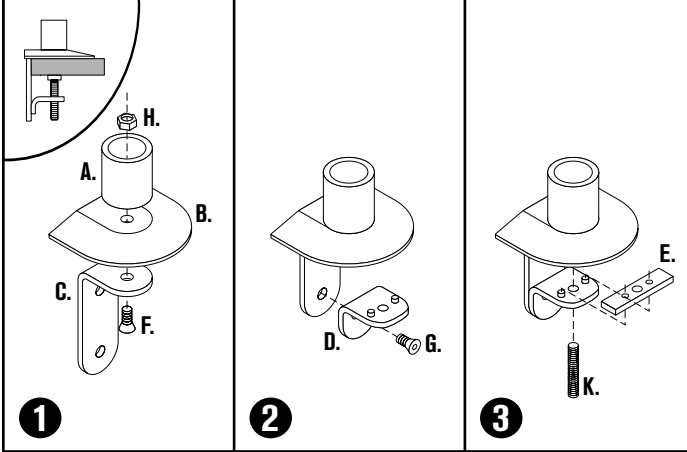


Model 7500 Parts List

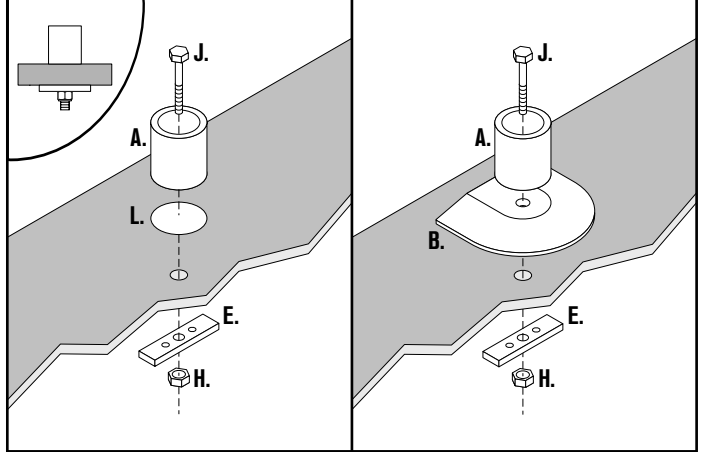
ITEM	DESCRIPTION / PART NO.	QUANTITY	
A.		10-32 x 3/8" (9.525mm) Philips Flat Head Screw 701164	4
B.		M4-12 Philips Pan Head Screw 702096	4
C.		Tilter Washer 704197	1
D.		10-32 x 3/8" (9.525mm) Philips Pan Head Screw 700115	1
E.		7/32" (5.563mm) Allen Wrench 701127	1
F.		3/32" (2.388mm) Allen Wrench 700146	1
G.		Forearm Cap 702825	1
H.		Endcap Bumper 702829	1
I.		Cable Cap 702830	1

FLEXmount™ Installation Instructions

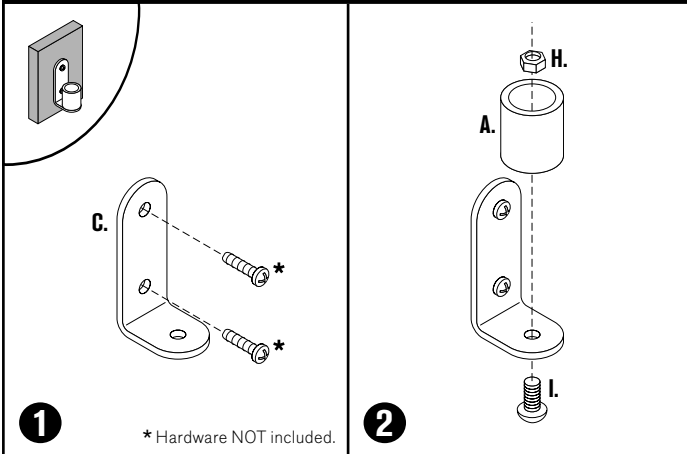
Desk Clamp



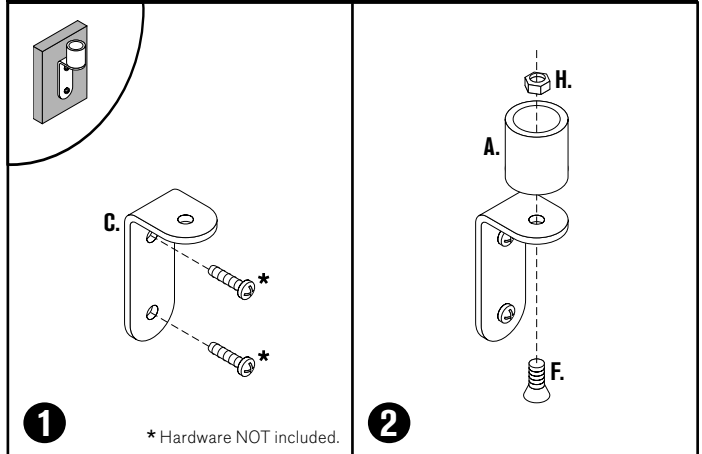
Thru-Desk



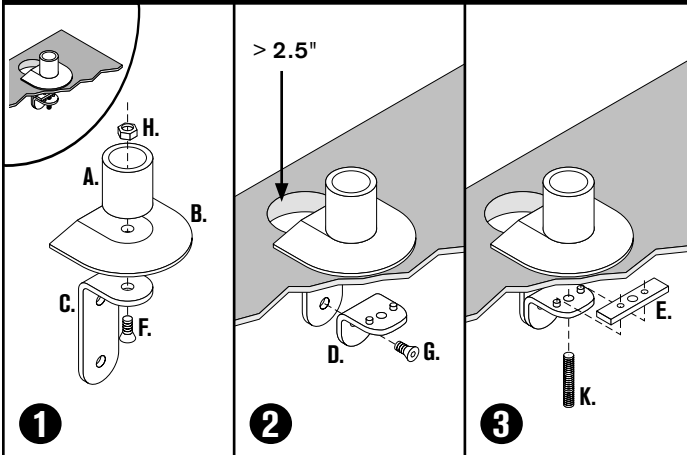
Wall Mount



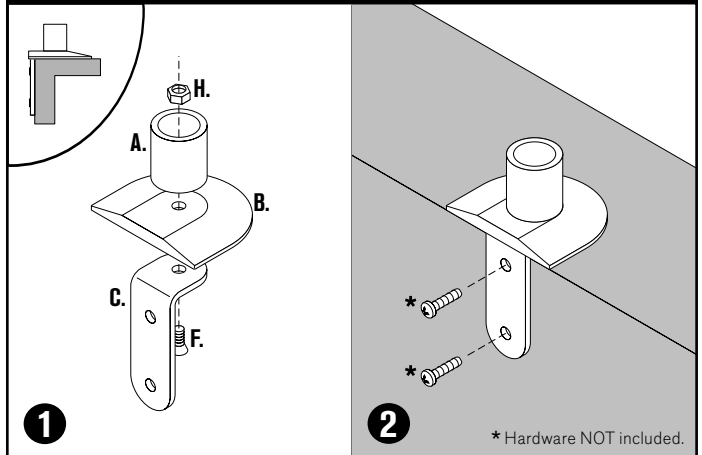
Reverse Wall Mount



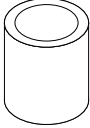
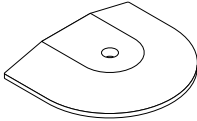
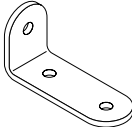
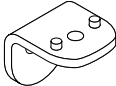
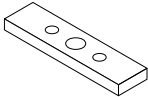
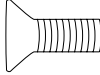
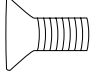
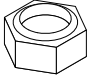
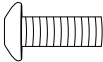
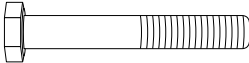
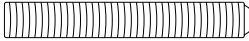

Grommet Hole



Side Bolt



FLEXmount™ Parts List

ITEM	DESCRIPTION / PART NO.	QUANTITY
A.	 <p>Mount Column 401328 - Model 7000, Model 7045, Model 3500, Model 3545 8269 - Model 7500, iLift™, ArcView™ (9177-2 & 9177-3)</p>	1
B.	 <p>Base Plate 401417 - Model 7000, Model 7045, Model 3500, Model 3545 8321 - Model 7500, iLift™, ArcView™ (9177-2 & 9177-3)</p>	1
C.	 <p>Large “L” Bracket 701117 - Model 7000, Model 7045, Model 3500, Model 3545 702828 - Model 7500, iLift™, ArcView™ (9177-2 & 9177-3)</p>	1
D.	 <p>Small “L” Bracket 701116</p>	1
E.	 <p>3" (76.2mm) x 3/4" (19.05mm) x 1/4" (6.35mm) Rectangular Spacer 701544</p>	1
F.	 <p>3/8-16 x 1" (25.4mm) Flat Socket Cap Screw 701124 - Model 7000, Model 7045, Model 3500, Model 3545 701855 - 3/8-16 x 1-1/4" (31.75mm) - Model 7500, iLift™, ArcView™ (9177-2 & 9177-3)</p>	1
G.	 <p>3/8-16 x 7/8" (22.225mm) Flat Socket Cap Screw 701799</p>	1
H.	 <p>3/8-16 Nylon Stop Nut 701418</p>	1
I.	 <p>3/8-16 x 7/8" (22.225mm) Button Socket Cap Screw 701122</p>	1
J.	 <p>3/8-16 x 2-1/2" (63.5mm) Hex Head Bolt 700268</p>	1
K.	 <p>1/2-13 x 3" (76.2mm) Socket Set Screw 701126</p>	1
L.	 <p>Foam Pad (Included with Model 7000 only) 701120</p>	1